



Miniature Circuit Breakers

BK63HU / BK63H

Miniature circuit breakers

BK63H UL489 MCB



BK63HU 1P

BK63HU 2P

BK63HU 3P

Ratings

Performance	UL489 MCB	
Standard	UL489, UL486E(Lug)	
Protection	Overload, Short circuit	
Rated current	1, 2, 3, 4, 6, 10, 16, 20, 25, 32, 40, 50, 63A	
Number of poles	1P, 2P, 3P	
Rated short circuit capacity	AC	DC
	1P: 10kA @ 120/240VAC, 1~63A 2~3P: 10kA @ 240VAC, 1~63A 1P: 10kA @ 277VAC, 1~25A 2~3P: 10kA @ 480Y/277VAC, 1~25A	1P : 10kA @ DC60V 2~3P : 10kA @ DC125V
Rated frequency	50/60 Hz	
Reference temperature	40°C	
Normal ambient temperature	-5 ~ 40°C	
Tripping curve	B, C, D Curve	
Trip type	Thermal Magnetic	
Type of terminals	Terminal with stirrup(indirect pressure)	
Terminal size acceptability - Min/Max	14 / 4AWG	
Tightening Torque	3.9 Nm (35 lbf-in)	
Installation	Mounting on 35mm Din rail	
Dimension of specimen (W×H×D)	18×105×66 (1P)	
Protection degree	IP20	
Accessory	AX-HU, AL-HU, SHT-HU, UVT-HU	
Relative humidity	45~85%RH	
Electrical Endurance	6,000	
Maximum switching frequency (time/h)	360/h	
Approvals	UL	

Miniature circuit breakers

BK63H UL1077 MCB



BK63H-UL 1P

BK63H-UL 2P

BK63H-UL 3P

BK63H-UL 4P

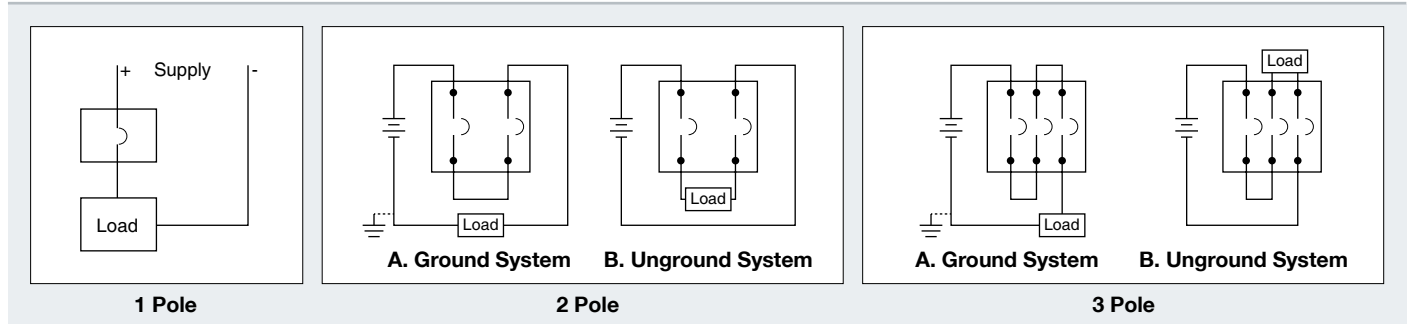
Ratings

Performance	UL1077 MCB
Standard	UL 1077
Protection	Overload, Short circuit
Rated current	1, 2, 3, 4, 6, 10, 16, 20, 25, 32, 40, 50, 63A
Number of poles	1P, 2P, 3P, 4P
Rated short circuit capacity	1P: 10kA @ 120/240VAC 6kA @ 277VAC 2~4P: 10kA @ 120/240VAC 6kA @ 480Y/277VAC
Rated frequency	50/60 Hz
Reference temperature	40 °C
Normal ambient temperature	-5 ~ 40 °C
Tripping curve	B, C, D Curve
Trip type	Thermal Magnetic
Type of terminals	Terminal with stirrup(indirect pressure)
Terminal size acceptability - Min/Max	14 / 4AWG
Tightening Torque	2Nm (17.5 lbf-in)
Installation	Mounting on 35mm Din rail
Dimension of specimen (W×H×D)	18×81×66 (1P)
Protection degree	IP20
Accessory	AX-H, AL-H, SHT-H, UVT-H
Relative humidity	45~85%RH
Electrical Endurance	6,000
Maximum switching frequency (time/h)	360/h
Approvals	UL, CB, CCC

Miniature circuit breakers

Accessory / Circuit Diagrams(BK63HU)

Exemplary DC circuit diagrams(BK63HU)



UL489 accessory

Type		AX-H	AL-H																
Appearance																			
Rating	AC circuit	6A at 240V 3A at 415V																	
	DC circuit	1A at 110V DC 2A at 48V DC																	
Contact		<table border="1"> <tr><td>MCB</td><td>OFF</td><td>TRIP</td><td>ON</td></tr> <tr><td>AX</td><td></td><td></td><td></td></tr> </table>	MCB	OFF	TRIP	ON	AX				<table border="1"> <tr><td>MCB</td><td>OFF</td><td>TRIP</td><td>ON</td></tr> <tr><td>AL</td><td></td><td></td><td></td></tr> </table>	MCB	OFF	TRIP	ON	AL			
MCB	OFF	TRIP	ON																
AX																			
MCB	OFF	TRIP	ON																
AL																			
Dimension(W×H×D)		9 × 105 × 66																	

Type	SHT-HU	UVT-HU
Appearance		
Control Voltage [Ue]	AC 110~380V DC 60~220V	AC 110~120V AC 220~240V AC 380~415V
Operation Voltage	80~110% Ue	-
Trip voltage	-	35~70% Ue
Dimension(W×H×D)	18 × 105 × 66	

UL1077 accessory

Type		AX-H	AL-H																
Appearance																			
Rating	AC circuit	6A at 240V 3A at 415V																	
	DC circuit	1A at 110V DC																	
Contact		<table border="1"> <tr><td>MCB</td><td>OFF</td><td>TRIP</td><td>ON</td></tr> <tr><td>AX</td><td></td><td></td><td></td></tr> </table>	MCB	OFF	TRIP	ON	AX				<table border="1"> <tr><td>MCB</td><td>OFF</td><td>TRIP</td><td>ON</td></tr> <tr><td>AL</td><td></td><td></td><td></td></tr> </table>	MCB	OFF	TRIP	ON	AL			
MCB	OFF	TRIP	ON																
AX																			
MCB	OFF	TRIP	ON																
AL																			
Dimension(W×H×D)		9 × 105 × 66																	

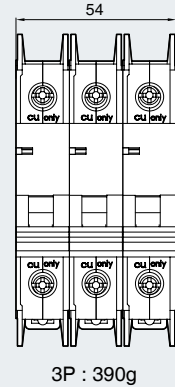
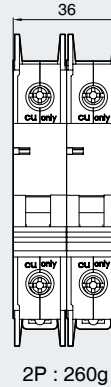
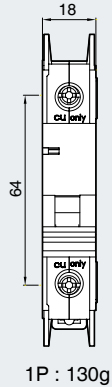
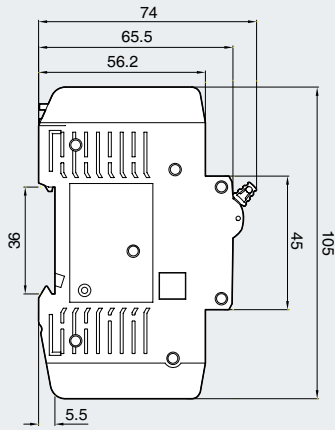
Type	SHT-HU	UVT-HU
Appearance		
Control Voltage [Ue]	AC 110~380V DC 60~220V	AC 110~120V AC 220~240V AC 380~415V
Operation Voltage	80~110% Ue	-
Trip voltage	-	35~70% Ue
Dimension(W×H×D)	18 × 81 × 66	

Miniature circuit breakers

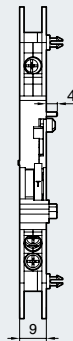
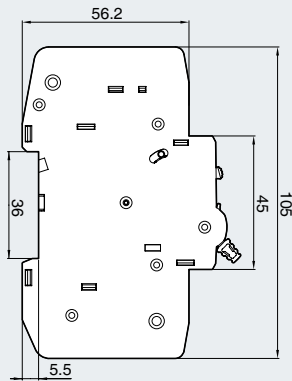
Dimension / Operating curve

UL489 MCB

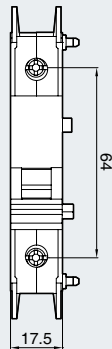
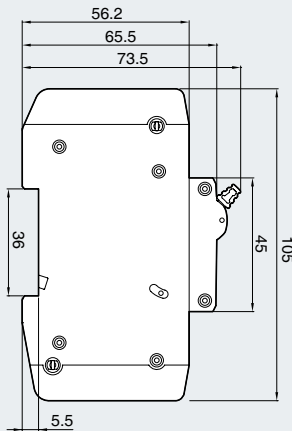
● BK63HU



● AX-HU/AL-HU



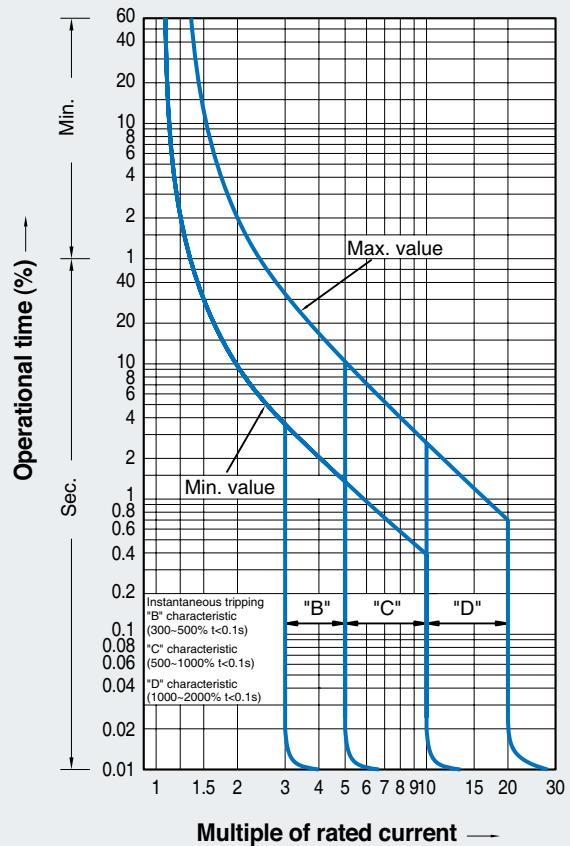
● SHT-HU/UVT-HU



SHT : 100g / UVT : 110g

AX : 48g / AL : 48g

UL489 MCB Operating curve

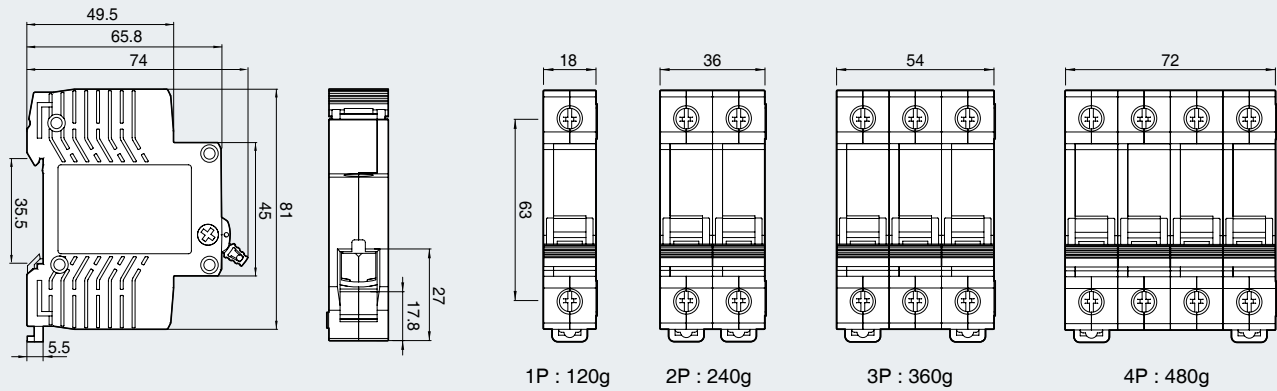


Miniature circuit breakers

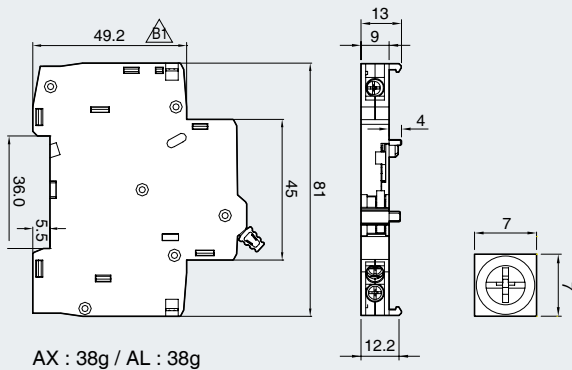
Dimension / Operating curve

UL1077 MCB

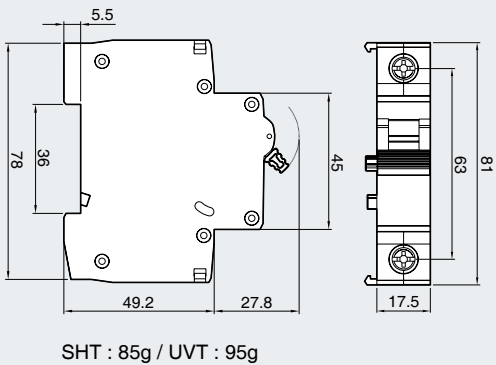
● BK63H



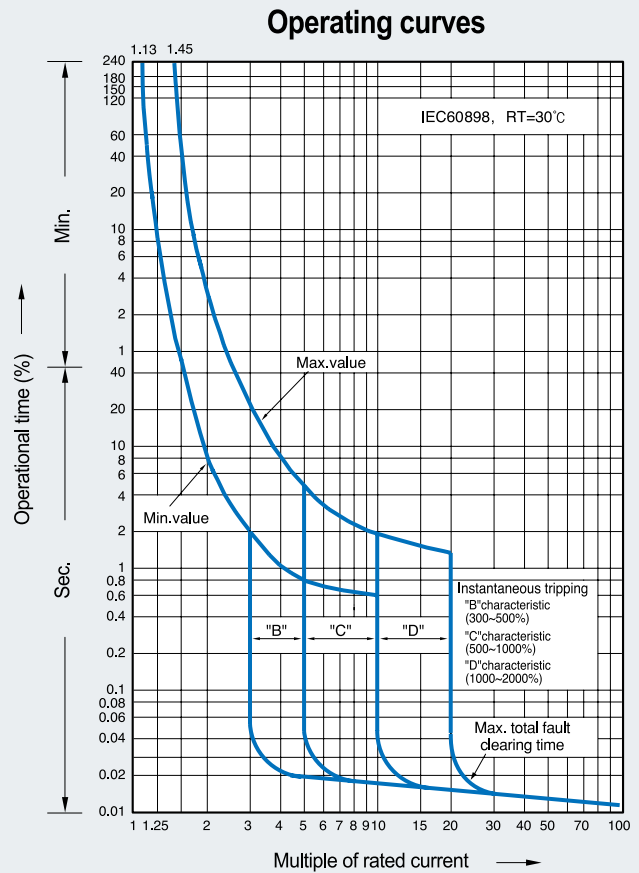
● AX-H/AL-H



● SHT-H/UVT-H



UL1077 MCB Operating curve



Numbering system / Accessory connecting

UL 489 / 1077 MCB

BK	63H	U	1P	B	63A	10kA	240VAC	UL489
Series	AF	Standard	Pole	Type	A	KA	Rated voltage	Standard
MCB	63	U UL489 UL1077	1P 2P 3P 4P	B-Type C-Type D-Type	1, 2, 3, 4, 6, 10, 20, 25, 32, 40, 50, 63A	6 10	120/240VAC 240VAC 277VAC 480Y/277VAC	UL489 UL1077

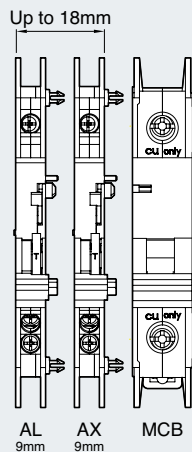
AX	Accessory
AX	Auxiliary switch
AL	Alarm switch
SHUT	shunt trip device
UVT	Under voltage trip device

H	applicable product
H (UL1077)	BK63H
HU (UL489)	BK63HU

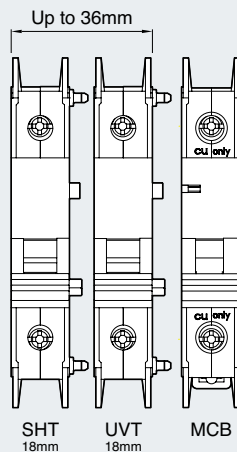
UL1077	applied standard
UL1077	UL1077
UL489	UL489

Accessory connecting

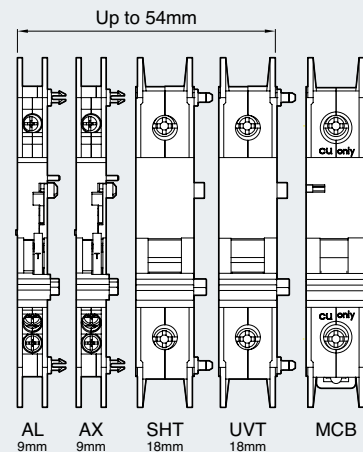
• Aux. contacts



• Tripping devices



• Both Aux. contacts and Tripping devices





Safety Instructions

- For your safety, please read user's manual thoroughly before operating.
- Contact the nearest authorized service facility for examination, repair, or adjustment.
- Please contact qualified service technician when you need maintenance. Do not disassemble or repair by yourself!
- Any maintenance and inspection shall be performed by the personnel having expertise concerned.



■ HEAD OFFICE

LS-ro 127 (Hogye-dong) Dongan-gu, Anyang-si,
Gyeonggi-Do Korea
Tel. 82-2-2034-4902, 4684, 4429
Fax. 82-2-2034-4555

Technical Question or After-sales Service



TEL. **82-1644-5481**

Customer Center - Quick Responsive
Service, Excellent technical support

■ GLOBAL NETWORK

Overseas Subsidiaries

- **LSIS USA Inc.** > **Chicago, America**
2000 Millbrook Drive, Lincolnshire, Chicago, IL 60069, United States of America
Tel: 1-847-941-8240 Fax: 1-847-941-8259 E-mail: seungheonc@lsis.com
- **LSIS (Middle East) FZE** > **Dubai, U.A.E.**
LOB 19-205, JAFZA View Tower, Jebel Ali Free Zone, Dubai, United Arab Emirates
Tel: 971-4-886-5360 Fax: 971-4-886-5361 E-mail: hschoib@lsis.com
- **LSIS Europe B.V.** > **Schiphol-Rijk, Netherlands**
1st Floor, Tupoleviaan 48, 1119NZ, Schiphol-Rijk, The Netherlands
Tel: 31-20-654-1420 Fax: 31-20-654-1429 E-mail: junshickp@lsis.com
- **LSIS Japan Co., Ltd.** > **Tokyo, Japan**
Tokyo Club Building 13F, 2-6, Kasumigaseki 3-chome, Chiyoda-ku, Tokyo, 100-0013
Tel: 81-3-6268-8241 Fax: 81-3-6268-8240 E-mail: jschuna@lsis.com
- **LSIS(Dalian) Co., Ltd.** > **Dalian, China**
No. 15, Liaohexi 3-Road, Economic and Technical Development Zone, Dalian 116600, China
Tel: 86-411-8273-7777 Fax: 86-411-8730-7560 E-mail: tangyh@lsis.com
- **LSIS(Wuxi) Co., Ltd.** > **WUXI, China**
102-A, National High & New Tech Industrial Development Area, Wuxi, Jiangsu, 214028, P.R.China
Tel: 86-510-8534-6666 Fax: 86-510-522-4078 E-mail: wangzy@lsis.com
- **LS-Vina Co., Ltd.** > **Hanoi, Vietnam**
Nguyen Khe, Dong Anh, Hanoi, Vietnam
Tel: 84-4-6275-8055 Fax: 84-4-3882-0220 E-mail: sjbaik@lsis.com

Overseas Branches

- **LSIS Co., Ltd. Rep. Office, Vietnam**
Gema Dept Tower 18F, 6 Le Thanh Ton, District 1, HCM, Vietnam
Tel: 84-8-3823-7890 E-mail: hwyim@lsis.com
- **LSIS Moscow Office, Russia**
123610, Krasnopresnenskaya, nab, 12, building1, office No.1005, Moscow, Russia
Tel: 7-495-258-1466, 1467 Fax: 7-495-258-1466, 1467 E-mail: jdpark1@lsis.com

Specifications in this catalog are subject to change without notice due to continuous product development and improvement.